

8

Parts and diagrams

Chapter contents

Ordering parts and supplies and getting support	242
Parts	242
Consumables, accessories, and supplies.	243
Common fasteners	244
Illustrations and parts lists.	245
Covers.	246
Covers and panels	246
Top cover assembly	248
Internal components	250
Internal components (1 of 4).	250
Internal components (2 of 4).	252
Internal components (3 of 4).	254
Internal components (4 of 4).	256
Power-supply assembly	258
Pickup assembly.	260
Engine controller.	262
PCA locations	263
Trays.	264
250-sheet feeder.	264
500-sheet feeder.	266
Alphabetical parts list	268
Numerical parts list	273

Ordering parts and supplies and getting support

Parts

How to use the parts lists and diagrams

The figures in this chapter illustrate the major subassemblies in the printer and their component parts. A table accompanies each exploded-view diagram. Each table lists reference numbers for the field-replaceable units (FRU) that appear in the diagram, along with their part numbers and names. Parts for which no part numbers are listed are not FRUs and cannot be ordered.

Note

When looking for an electrical part, pay careful attention to the voltage listed in the description column to ensure that the part number is correct for your printer model.

Ordering

Order replacement parts from HP Services. Go to <http://www.hp.com/go/parts/> for information about ordering service parts in your area. Go to <http://www.hp.com/go/partsinfo/> for the online HP service parts identification tool (HP partSurfer). All standard part numbers listed are stocked and can be ordered from HP's Customer Services and Support Center.

Support

In addition to the technical support websites listed below, the following website contains answers to frequently asked questions:

<http://www.hp.com/support/lj2300>

Table 27. Technical support websites

HP Connect Online (for HP partners)	http://www.connect-online.hp.com Hp Connect Online is an Internet site that is created exclusively for our partners. Partners can easily find all of the HP information needed for daily business.
HP Customer Care Online (software drivers, support documentation, and answers to frequently asked questions)	http://www.hp.com Select your country/region in the "select a country or region" field located on the web page.
HP Technical Training (classes and schedules)	U.S.: http://www.partner.americas.hp.com Canada: http://www.canada.hp.com Asia and Pacific countries/regions: http://partnercare.asiapac.hp.com Latin America: http://www.conecta.latinamerica.hp.com
Parts (parts information)	http://www.hp.com/go/parts/ http://www.hp.com/go/partsinfo/ http://www.partsurfer.hp.com
Supplies/paper (ordering information)	U.S. http://www.hp.com/go/orderssupplies-na Canada: http://www.hp.ca/catalog/supplies Europe: http://www.hp.com/go/supplies Asia and Pacific countries/regions: http://www.hp.com/paper

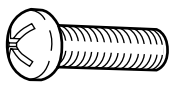
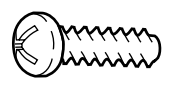
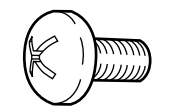
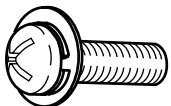
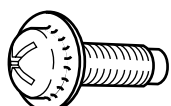

Consumables, accessories, and supplies

Table 28. Consumables, accessories, and supplies

Product number	Part number	Description
Consumable items		
Q2610A	Q2610-60001	Smart print cartridge
Cables		
C2950A		2 m (5 ft) parallel cable (IEEE-1284)
C2951A		3 m (9 ft) parallel cable (IEEE-1284)
C6518A CPC		USB
100-pin memory (DIMMS)		
C7842A		8 MB
C7843A		16 MB
C7845A		32 MB
	Q2651-67902	DIMM kit, HP LaserJet 2300L printer
	Q2651-67903	DIMM kit, HP LaserJet 2300 printer
	Q2677-67902	DIMM kit, HP LaserJet 2300n printer
	Q2677-67903	DIMM kit, HP LaserJet 2300d, 2300dn, and 2300 dtn printers
Network connectivity		
J4169A	J4169-69001	HP JetDirect 615N Fast Ethernet (10/100 Base-TX [RJ-45])
J4135A		USB
Media handling		
	RM1-0350-000CN	Tray 2 or 250-sheet feeder media tray replacement
	C4793-67901	250-sheet feeder and tray assembly
	C7065-67901	500-sheet feeder and tray assembly
Reference materials		
	Q2472-90908	HP LaserJet 2300 series printer service manual
	5851-1468	HP LaserJet Printer Family Print Media Guide
	5021-0377	HP PCL/PJL Reference Set
	5969-6818	HP JetDirect Print Server Administrator's Guide
	5969-3412	HP JetDirect Print Server JetAdmin Setup Guide
Miscellaneous		
	Q2472-67901	Packaging kit

Common fasteners

Table 29. Common fasteners

Example	Description	Sizes	Uses
	Screw	M3 by 6 mm M4 by 8 mm	To hold plastic to plastic
	Screw, tapping	M3 by 4 mm M3 by 6 mm M4 by 6 mm M4 by 12 mm	To hold plastic to metal (excluding the control panel)
	Screw, pan head	M4 by 10 mm	To hold plastic to plastic
	Screw, w/washer	M3 by 6 mm M3 by 8 mm M3 by 7 mm M4 by 6 mm M4 by 12 mm	To hold plastic to metal (excluding the covers)
	Screw, truss head	M3 by 6 mm M3 by 8 mm M4 by 8 mm M4 by 20 mm	To hold sheet metal to metal (excluding the formatter)
	E-ring		To hold gears in place

Illustrations and parts lists

Assembly locations

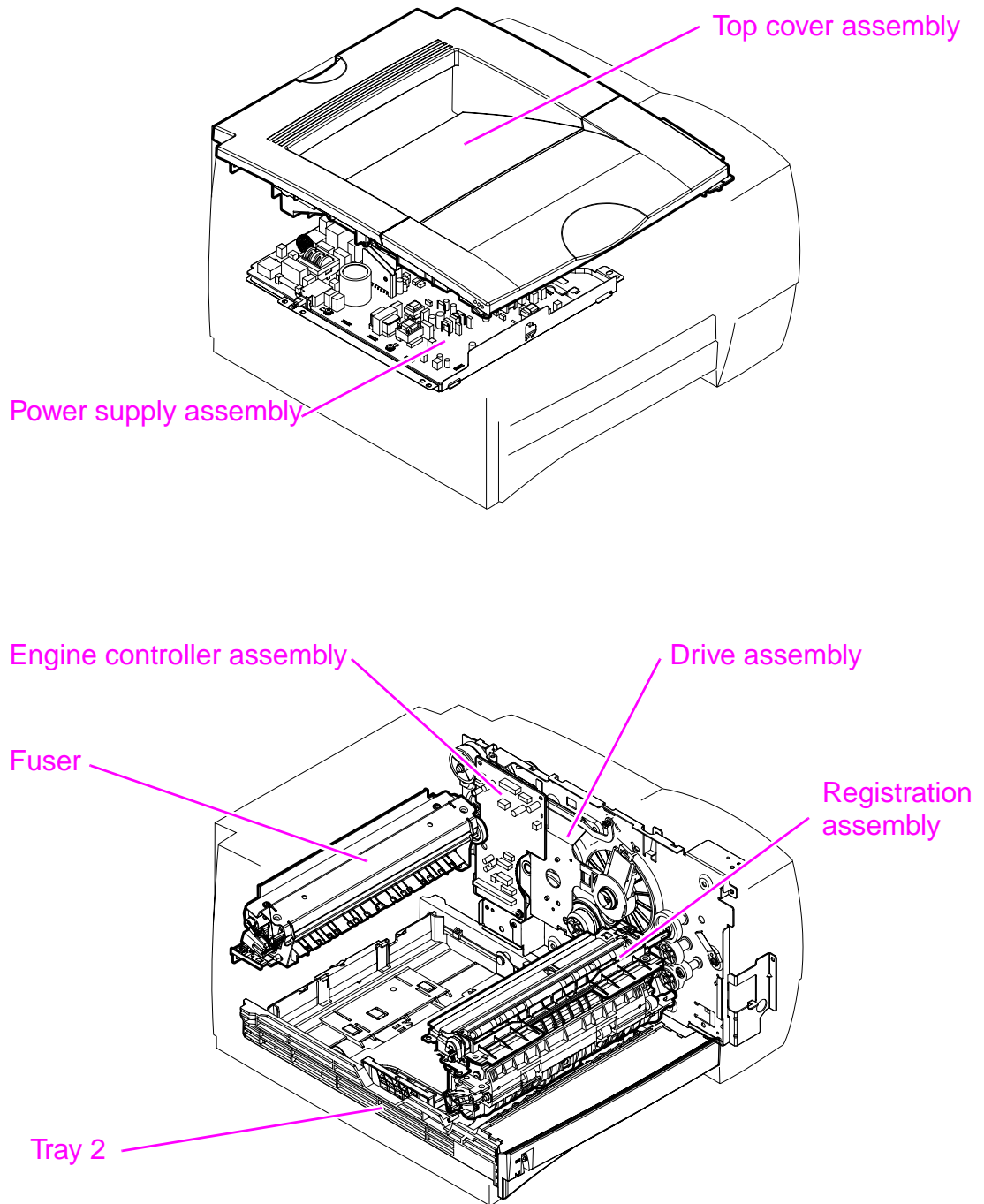


Figure 122. Assembly locations

Covers and panels

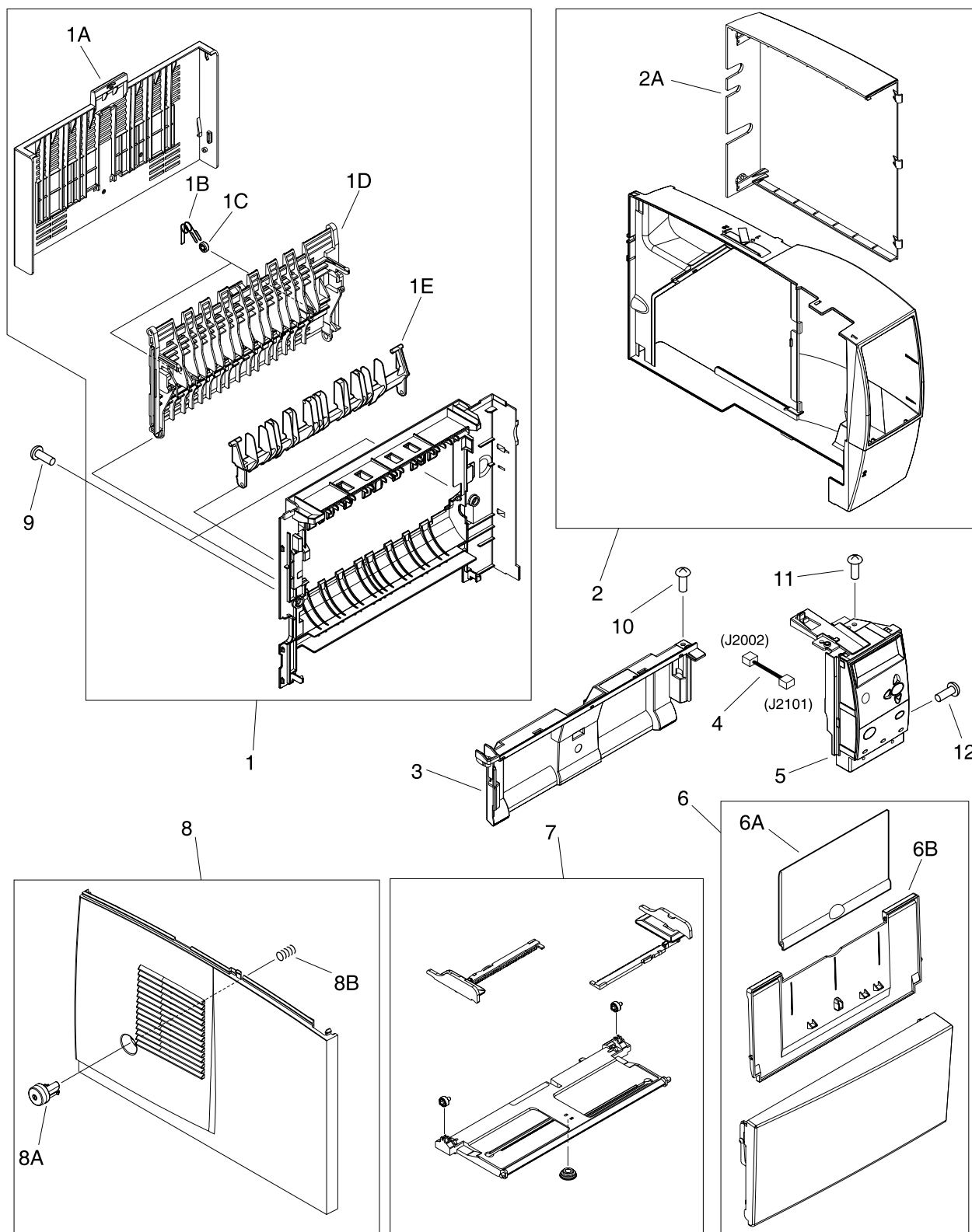


Figure 123. Covers and panels

Table 30. Covers and panels

Ref	Description	Part number	Quantity
1	Rear cover assembly	RM1-0367-000CN	1
1A	Bin extension	RB2-6286-000CN	1
1B	Spring, torsion	RC1-0999-000CN	2
1C	Roller, guide	RB2-6288-000CN	2
1D	Rear output bin	RB2-6287-000CN	1
1E	Guide, rear output	RB2-6401-000CN	1
2	Cover, DIMM	RM1-0329-000CN	1
2A	Cover, I/O	RB2-6283-000CN	1
3	Cover, front	RC1-1013-000CN	1
4	Cable, panel	RG1-4314-000CN	1
5	Control panel	RH6-0226-000CN	1
6	Tray 1 cover assembly	RG5-5575-000CN	1
6A	Tray 1 extension 1	RB2-6404-000CN	1
6B	Tray 1 extension 2	RB2-3036-000CN	1
7	Tray 1 assembly	RM1-0353-000CN	1
8	Left cover assembly	RG5-5549-000CN	1
8A	Button, power switch	RB2-6294-000CN	1
8B	Spring, compression	RB2-2860-000CN	1
9	Screw, tapping, pan head, M4x10	XB4-7401-007CN	2
10	Screw, tapping, truss head, M4x14	XB4-7401-407CN	2
11	Screw, TP, M3x6	XA9-1223-000CN	1
12	Screw, w/washer, M3x6	XB6-7300-607CN	1

Top cover assembly

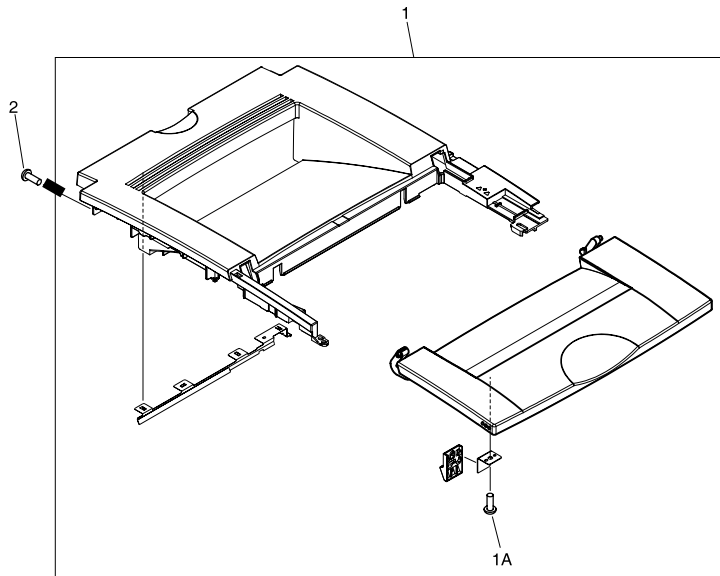


Figure 124. Top cover assembly

Table 31. Top cover assembly

Ref	Description	Part number	Quantity
1	Top cover assembly	RM1-0328-000CN	1
1A	Screw, tapping, pan head, M4x10	XB4-7401-007CN	1
2	Screw, tapping, pan head, M4x10	XB4-7401-007CN	2

Internal components

Internal components (1 of 4)

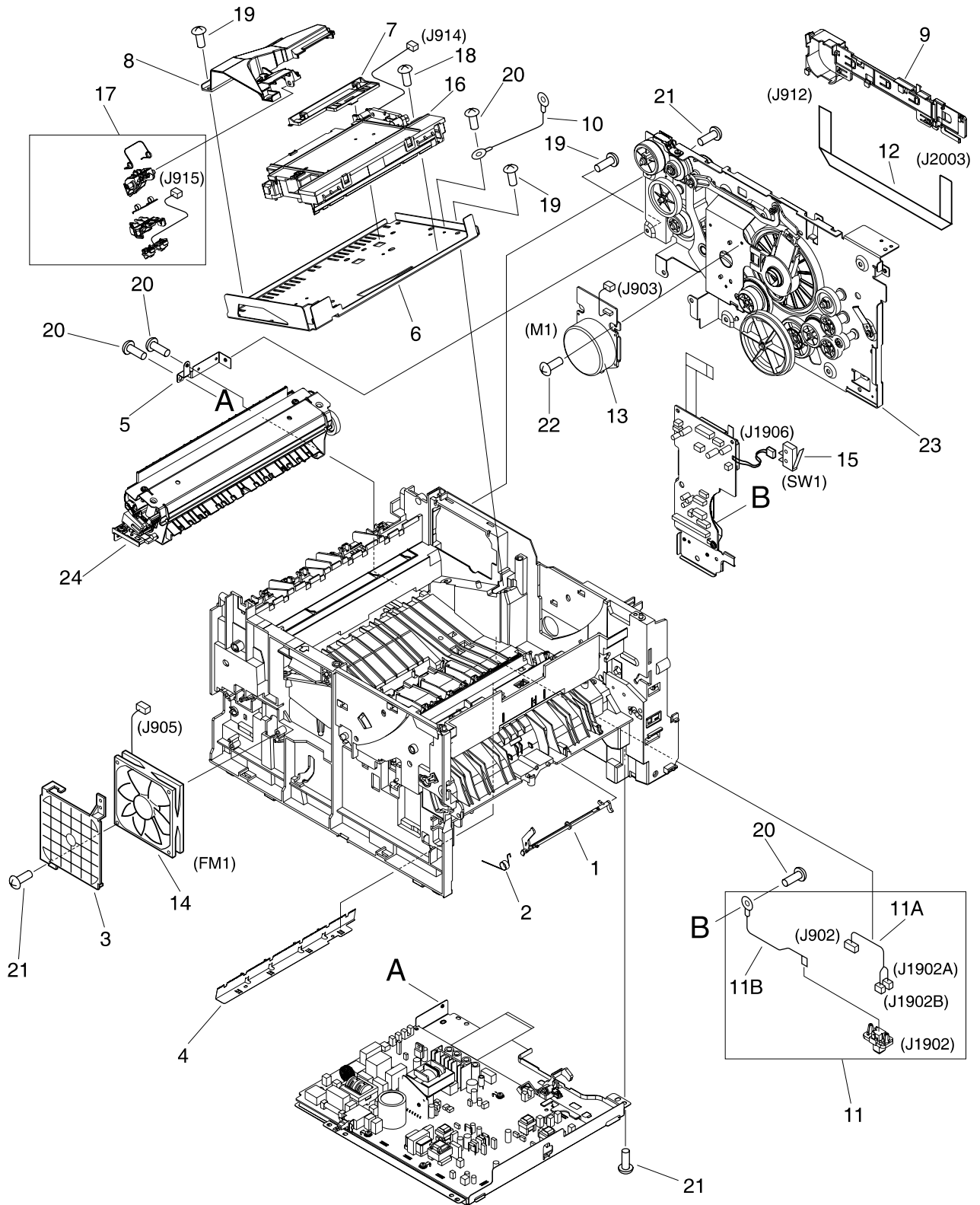


Figure 125. Internal components (1 of 4)

Table 32. Internal components (1 of 4)

Ref	Description	Part number	Quantity
1	Lever, sensor	RB2-2836-000CN	1
2	Spring, torsion	RB2-2837-000CN	1
3	Mount, fan	RB2-6255-000CN	1
4	Static charge eliminator	RC1-0911-000CN	1
5	Plate, grounding	RC1-0917-000CN	1
6	Mount, laser/scanner	RC1-1001-000CN	1
7	Guide, cable	RC1-1002-000CN	1
8	Duct	RC1-1003-000CN	1
9	Guide, flat cable	RC1-1019-000CN	1
10	FG cable assembly	RG1-4310-000CN	1
11	Paper feeder cable	RG5-5598-000CN	1
11A	I/F cable	RG5-5599-000CN	1
11B	Grounding cable	RG5-5600-000CN	1
12	Flat cable, I/F	RH2-5578-000CN	1
13	Motor, dc (M1)	RH7-1587-000CN	1
14	Fan	RH7-1591-000CN	1
15	Switch (SW1)	RH7-6051-000CN	1
16	Laser/scanner	RM1-0313-000CN	1
17	E-label reader assembly	RM1-0335-000CN	1
18	Screw, TP, M3x8	XA9-1160-000CN	4
19	Screw, TP, M4x12	XA9-1273-000CN	4
20	Screw, w/washer, M3x6	XB2-7300-607CN	8
21	Screw, tapping, pan head, M4x10	XB4-7401-007CN	13
22	Screw, PH M3x4	XB6-7300-407CN	3
23	Drive assembly	RM1-0334-000CN	1
24	Fuser (110-127V)	RM1-0354-000CN	1
	Fuser (220-240V)	RM1-0355-000CN	1

Internal components (2 of 4)

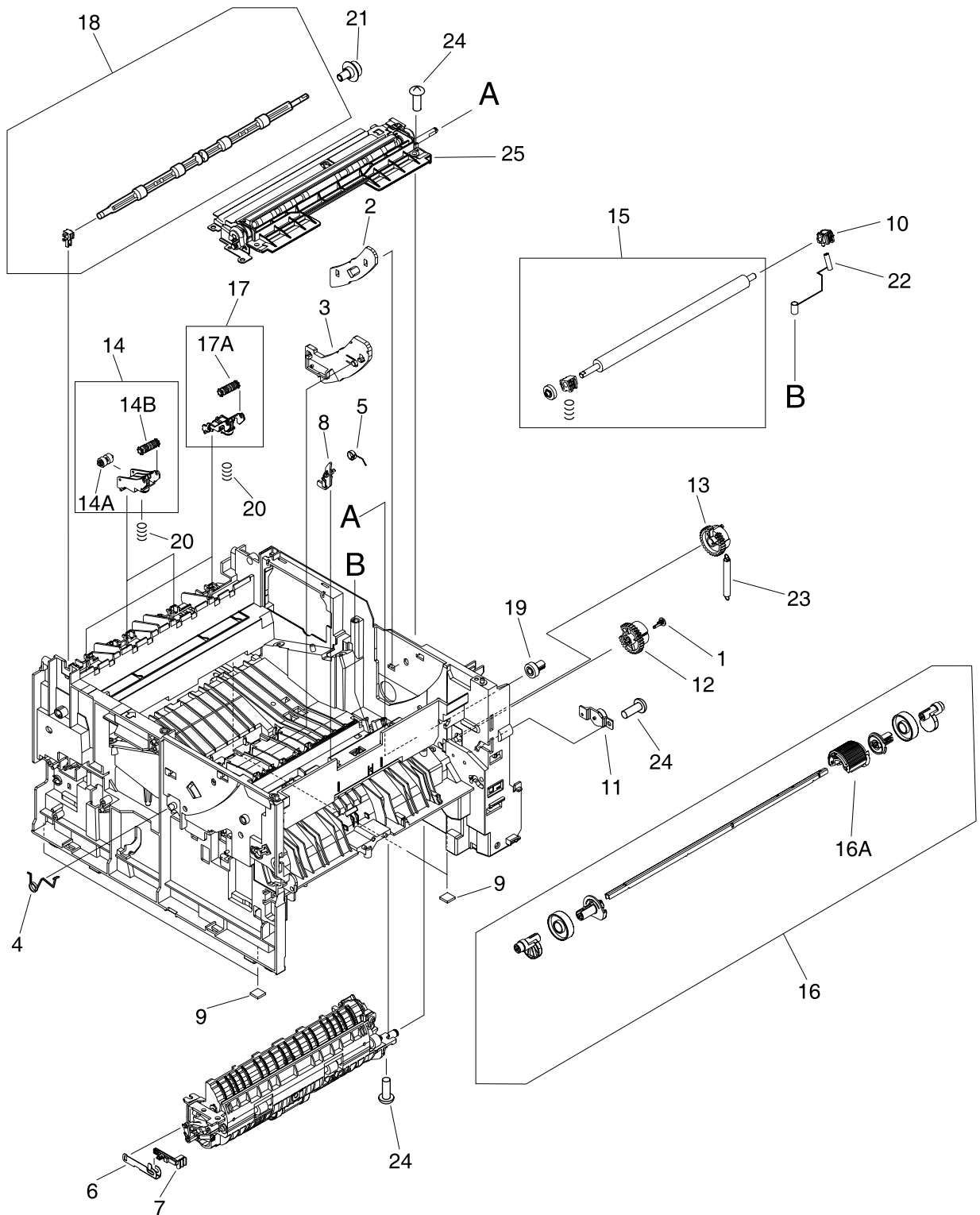


Figure 126. Internal components (2 of 4)

Table 33. Internal components (2 of 4)

Ref	Description	Part number	Quantity
1	Cap, continuity	RA0-1068-000CN	1
2	Guide, cartridge, right	RB2-2830-020CN	1
3	Guide, cartridge, left	RB2-2831-020CN	1
4	Spring, compression	RB2-2832-000CN	1
5	Spring, torsion	RB2-2843-000CN	1
6	Rod, jam clearing	RB2-6250-000CN	1
7	Lever, jam clearing	RB2-6251-000CN	1
8	Arm, sensor	RB2-6264-000CN	1
9	Foot, rubber	RB2-6297-000CN	4
10	Bushing, transfer, right	RC1-0922-000CN	1
11	Tray 1 damper assembly	RC1-1038-000CN	1
12	Gear, 26T	RC1-1039-000CN	1
13	Gear, 29T	RC1-1040-000CN	1
14	Top output bin delivery roller assembly	RG5-5542-050CN	2
14A	Roller, top output bin, lower 2	RB2-6277-000CN	1
14B	Roller, top output bin, lower 1	RB2-6400-000CN	1
15	Transfer roller assembly	RM1-0338-000CN	1
16	Tray 1 pickup assembly	RM1-0346-000CN	1
16A	Roller, pickup	RC1-0945-000CN	1
17	Top output bin delivery roller assembly	RM1-0370-000CN	2
17A	Roller, face-down lower 1	RB2-6400-000CN	1
18	Top output bin delivery roller assembly	RM1-0371-000CN	1
19	Gear, 14T	RS6-0445-000CN	1
20	Spring, compression	RS6-2375-000CN	4
21	Gear, 15T	RU5-0168-000CN	1
22	Spring, compression	RU5-2109-000CN	1
23	Spring, tension	RU5-2112-000CN	1
24	Screw, tapping, pan head, M4x10	XB4-7401-007CN	12
25	Registration assembly	RM1-0347-000CN	1

Internal components (3 of 4)

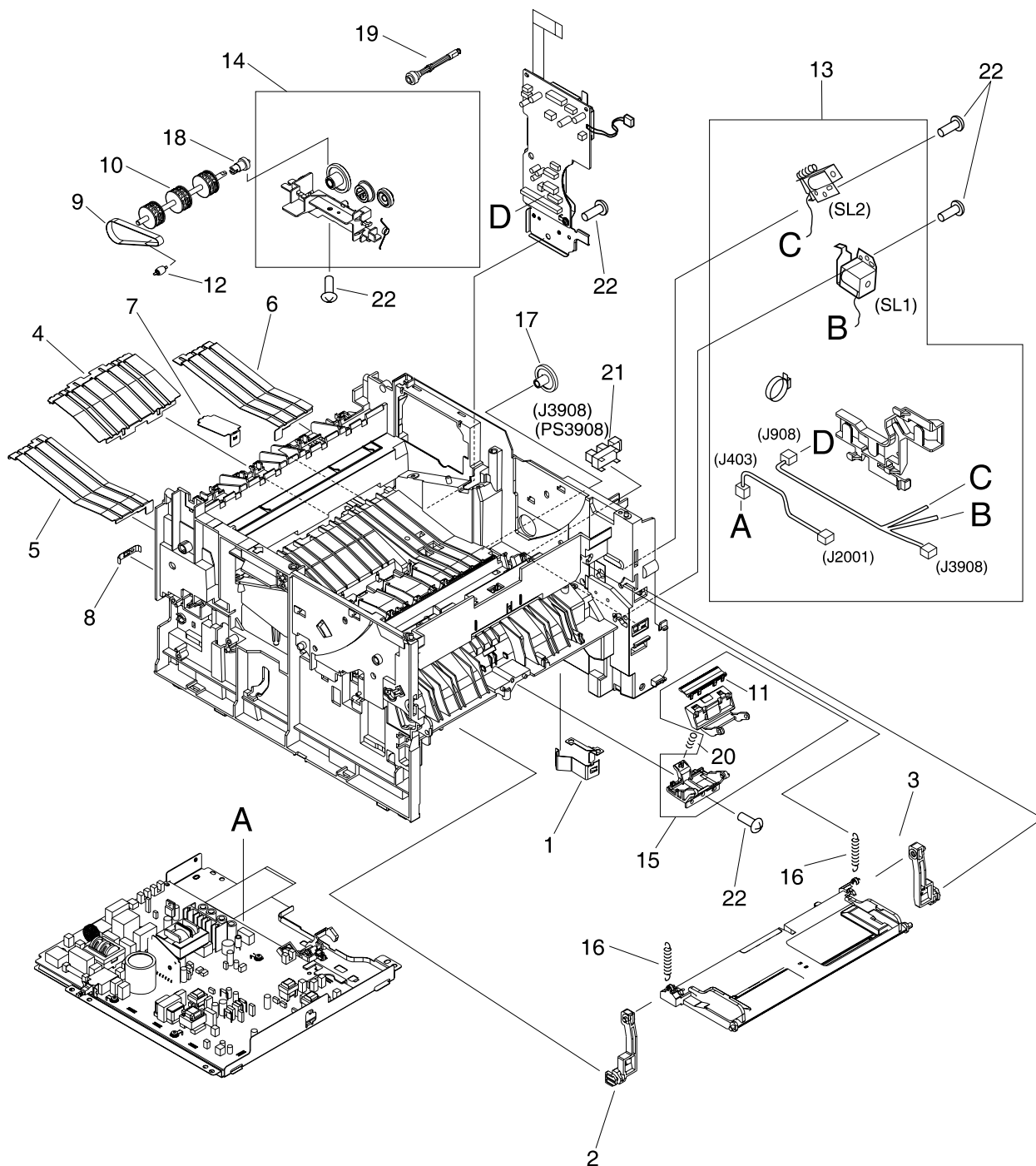


Figure 127. Internal components (3 of 4)

Table 34. Internal components (3 of 4)

Ref	Description	Part number	Quantity
1	Spring, leaf	RB2-6266-000CN	1
2	Hinge, left	RB2-6405-000CN	1
3	Hinge, right	RB2-6406-000CN	1
4	Plate, feeding, center	RC1-0912-000CN	1
5	Plate, feeding, left	RC1-0913-000CN	1
6	Plate, feeding, right	RC1-0914-000CN	1
7	Plate, feeding, front	RC1-0915-000CN	2
8	Plate, grounding	RC1-0916-000CN	1
9	Belt, paper feed	RC1-0918-000CN	3
10	Shaft, paper feed	RC1-0920-000CN	1
11	Pad, separation	RC1-0939-000CN	1
12	Pulley	RC1-0933-000CN	3
13	Cable guide assembly	RM1-0324-000CN	1
14	Gear assembly	RM1-0337-000CN	1
15	Separation pad assembly	RM1-0345-000CN	1
16	Spring, tension	RS6-2030-000CN	2
17	Gear, 27T	RU5-0155-000CN	1
18	Gear, 14T	RU5-0156-000CN	1
19	Shaft, paper feed	RU5-0158-000CN	1
20	Spring, compression	RU5-2113-000CN	1
21	Photosensor TLP1242	WG8-5382-000CN	1
22	Screw, tapping, pan head, M4x10	XB4-7401-007CN	5

Internal components (4 of 4)

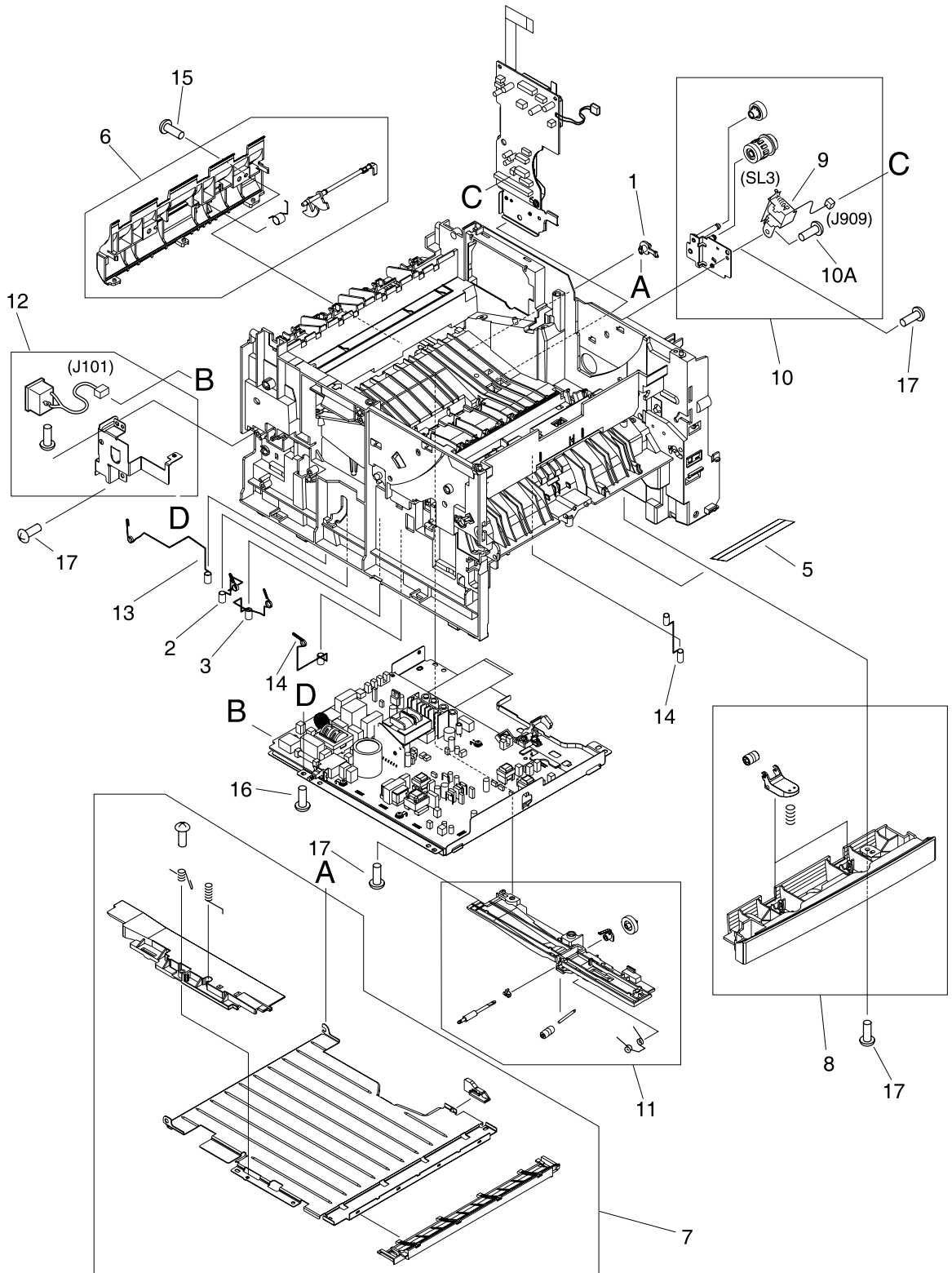


Figure 128. Internal components (4 of 4)

Table 35. Internal components (4 of 4)

Ref	Description	Part number	Quantity
1	Hinge, feed guide	RB2-6249-000CN	1
2	Spring, compression	RB2-6262-000CN	1
3	Spring, compression	RB2-6263-000CN	1
4	Spring, compression	RB2-6271-000CN	1
5	Sheet, leakage-prevention	RC1-0919-000CN	1
6	Reverse guide assembly	RG5-5548-000CN	1
7	Access plate feed guide assembly	RG5-5559-000CN	1
8	Feed roller assembly	RG5-5555-000CN	1
9	Solenoid	RH7-5279-000CN	1
10	Access plate solenoid assembly	RM1-0331-000CN	1
10A	Screw, RS, M3x6	XA9-0686-000CN	1
11	Position guide assembly	RM1-0333-000CN	1
12	Inlet cable assembly	RM1-0342-000CN	1
13	Spring, compression	RU5-2107-000CN	1
14	Spring, compression	RU5-2108-000CN	1
15	Screw, w/washer, M4x12	XA9-1206-000CN	2
16	Screw, w/washer, M3x6	XB2-7300-607CN	1
17	Screw, tapping, pan head, M4x10	XB4-7401-007CN	7

Power-supply assembly

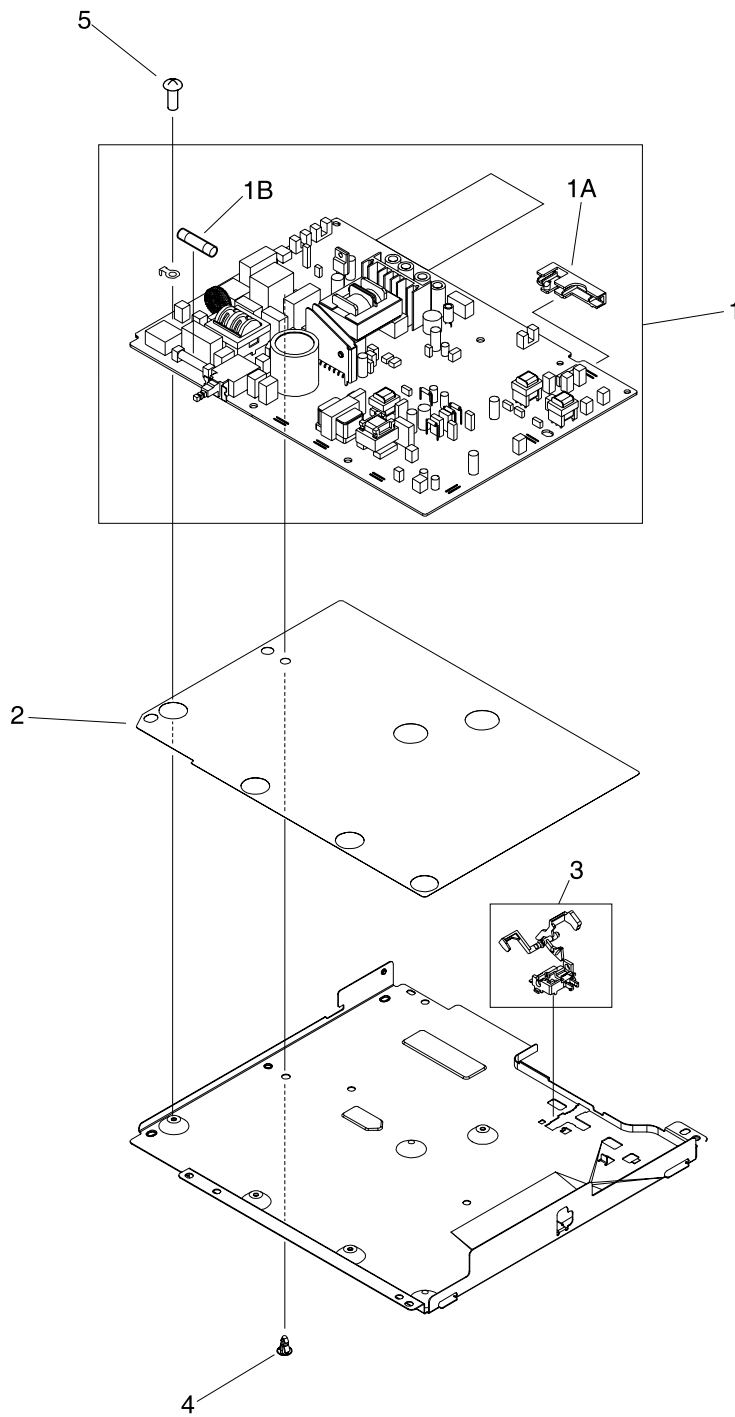


Figure 129. Power-supply assembly

Table 36. Power-supply assembly

Ref	Description	Part number	Qty
	Power supply assembly (110-127V)	RM1-0340-000CN	1
	Power supply assembly (220-240V)	RM1-0341-000CN	1
1	Power supply PCA (110-127V)	RG1-4306-000CN	1
	Power supply PCA (220-240V)	RG1-4329-000CN	1
1A	Spacer, PCA	RC1-0931-000CN	1
1B	Fuse (110-127V)	WD1-0268-000CN	1
	Fuse (220-240V)	RH3-8006-000CN	1
2	Sheet, insulation	RC1-0930-000CN	1
3	Holder, sensor, lever	RL1-0158-000CN	1
4	PCA	VT2-0012-005CN	1
5	Screw, w/washer, M3x8	XA9-1226-000CN	4

Pickup assembly

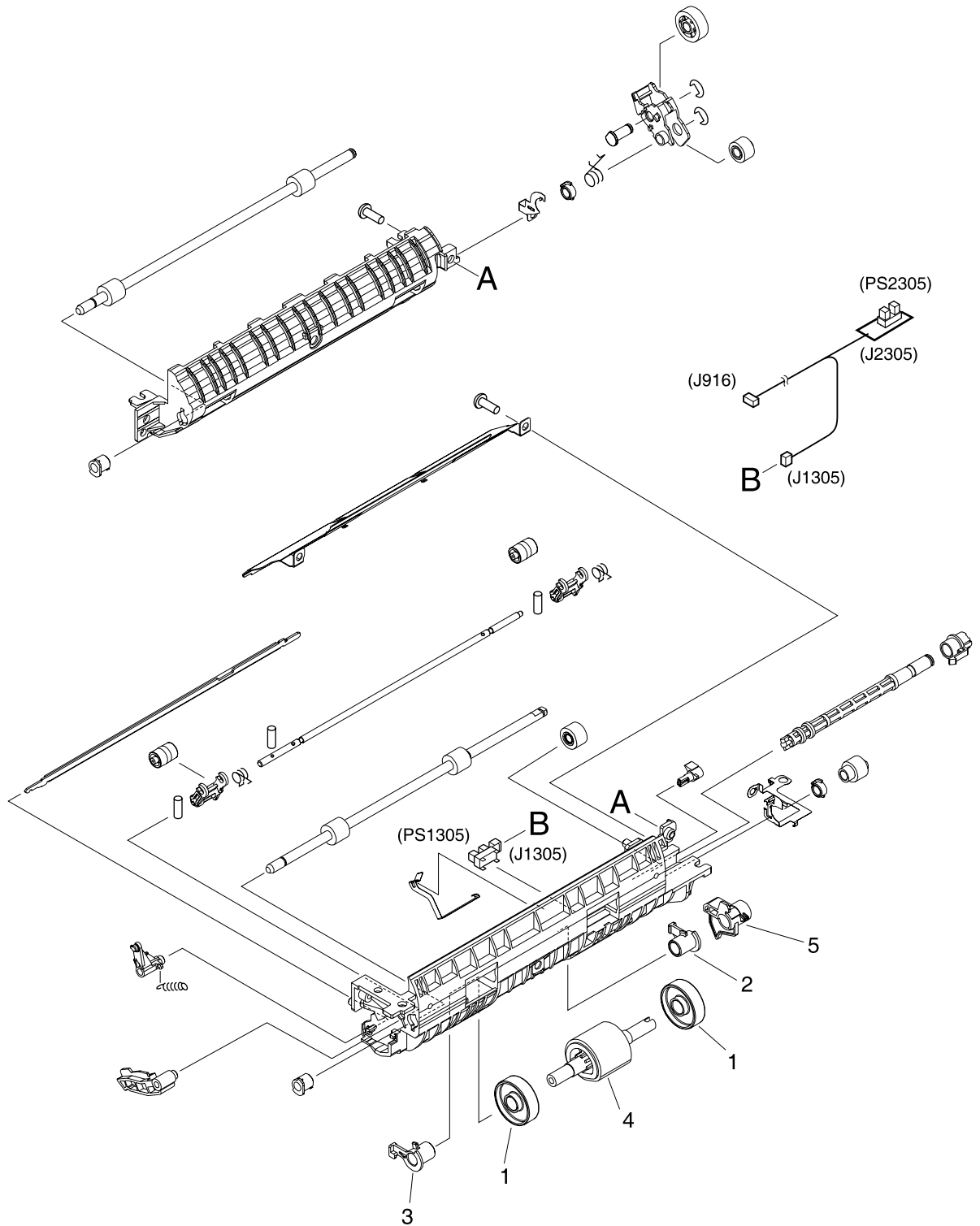


Figure 130. Pickup assembly

Table 37. Pickup assembly

Ref	Description	Part number	Quantity
	Pickup assembly	RM1-0332-000CN	1
1	Roller	RB2-2892-000CN	2
2	Bushing, right	RB2-2895-000CN	1
3	Bushing, left	RB2-2896-000CN	1
4	Pickup roller	RB2-6304-000CN	1
5	Arm, paper sensor	RB2-6310-000CN	1

Engine controller

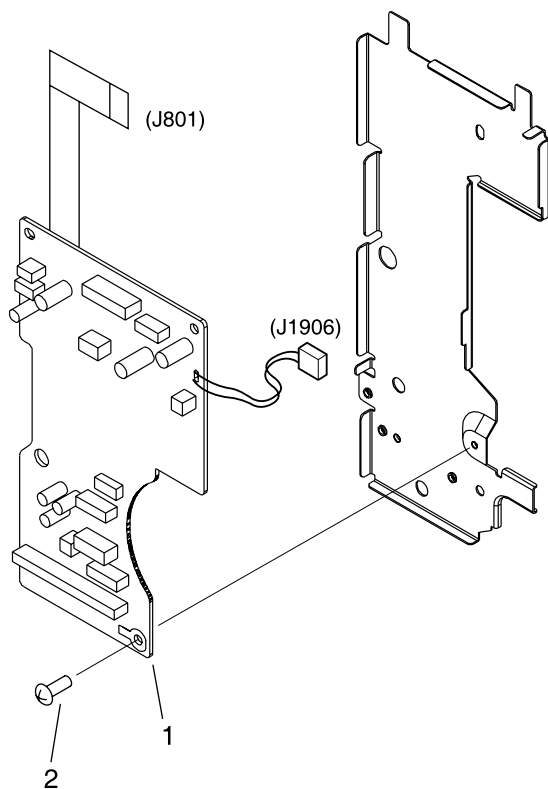


Figure 131.

Engine controller

Table 38. Engine controller

Ref	Description	Part number	Qty
	Engine controller assembly	RM1-0339-000CN	1
1	Engine controller PCA	RG1-4307-000CN	1
2	Screw, w/washer, M3x8	XA9-1226-000CN	1

PCA locations

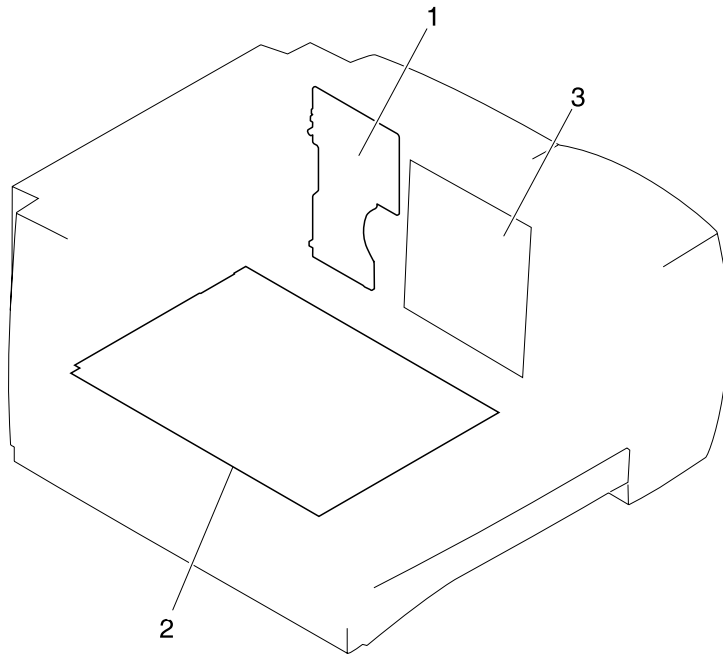


Figure 132.

PCA locations

Table 39. PCA locations

Ref	Description	Part number	Quantity
1	Engine controller PCA	RG1-4307-000CN	1
2	Power supply PCA (110-127V)	RG1-4306-000CN	1
	Power supply PCA (220-240V)	RG1-4329-000CN	1
3	Formatter	Q1395-60001	1

250-sheet feeder

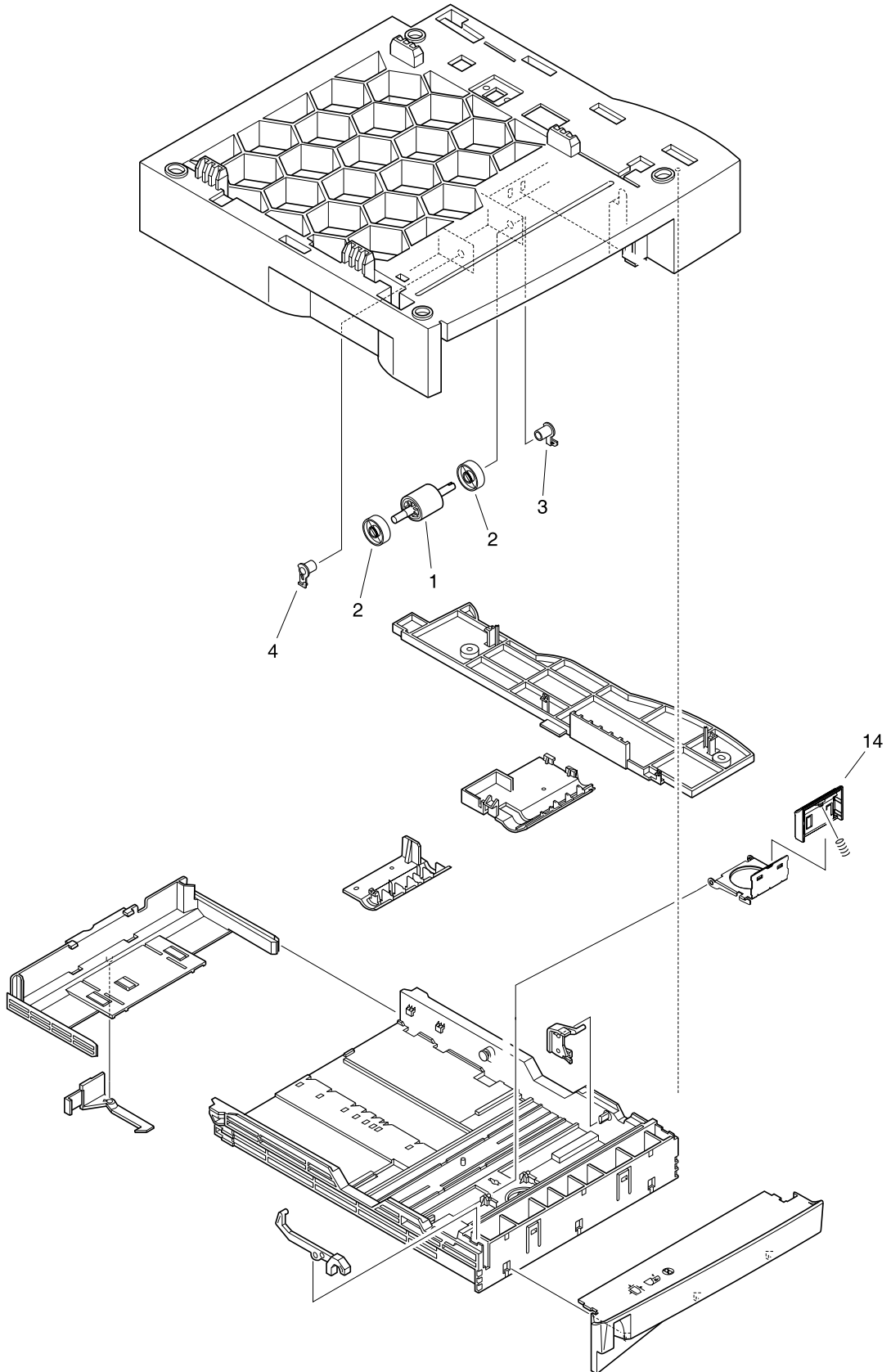


Figure 133. 250-sheet feeder

Table 40. 250-sheet feeder

Ref	Description	Part number	Qty
	250-sheet feeder	C4793-67901	1
	Tray 2 or 250-sheet feeder (media tray only)	RM1-0350-000CN	1
1	Pickup roller	RB2-6304-000CN	1
2	Roller	RB2-2892-000CN	2
3	Bushing, right	RB2-2895-000CN	1
4	Bushing, left	RB2-2896-000CN	1
14	Separation pad	RC1-0954-000CN	1

500-sheet feeder

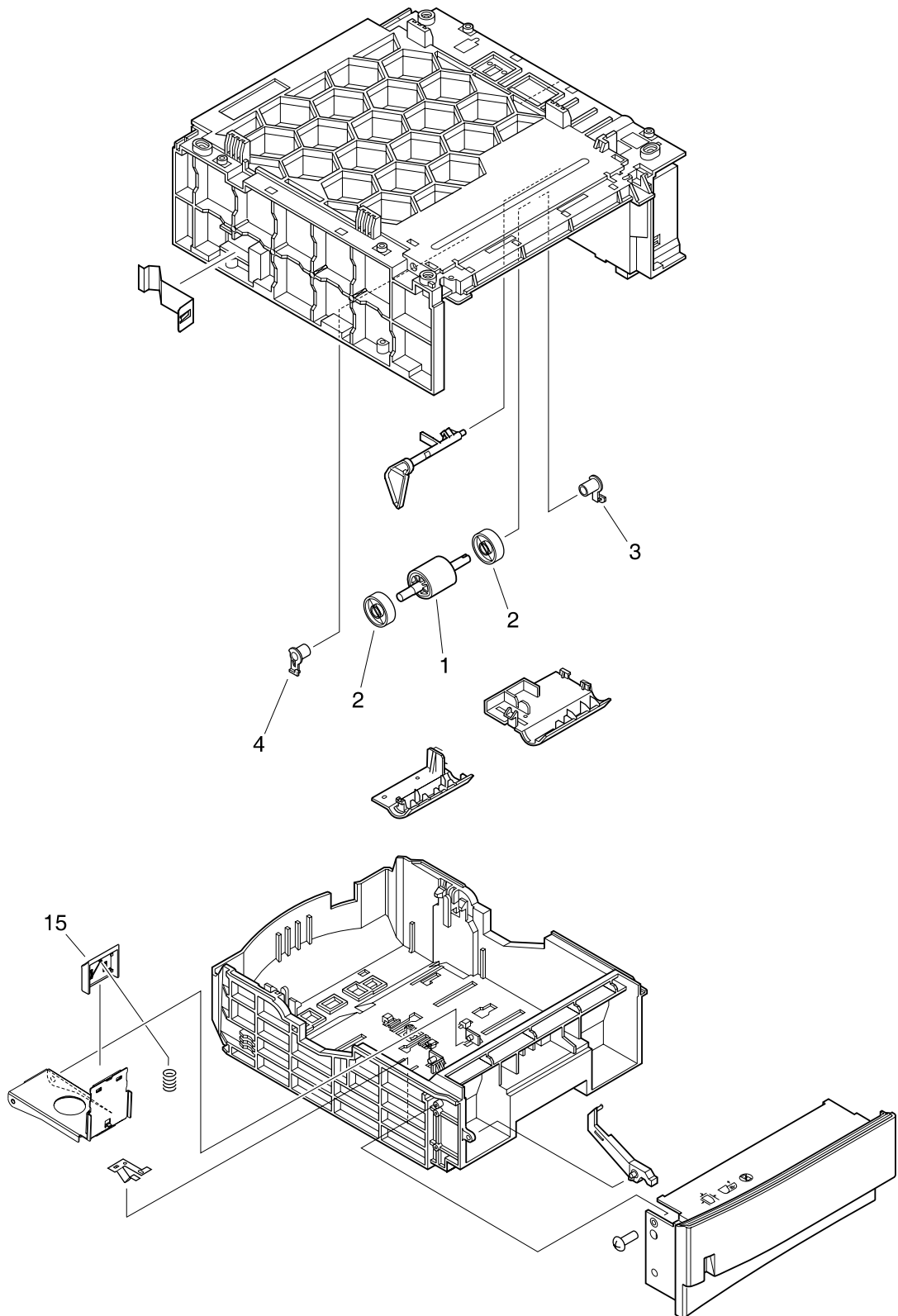


Figure 134. 500-sheet feeder

Table 41. 500-sheet feeder

Ref	Description	Part number	Qty
	500-sheet feeder	C7065-67901	1
1	Pickup roller	RB2-6304-000CN	1
2	Roller	RB2-2892-000CN	2
3	Bushing, right	RB2-2895-000CN	1
4	Bushing, left	RB2-2896-000CN	1
15	Pad, separation	RB2-9960-000CN	1